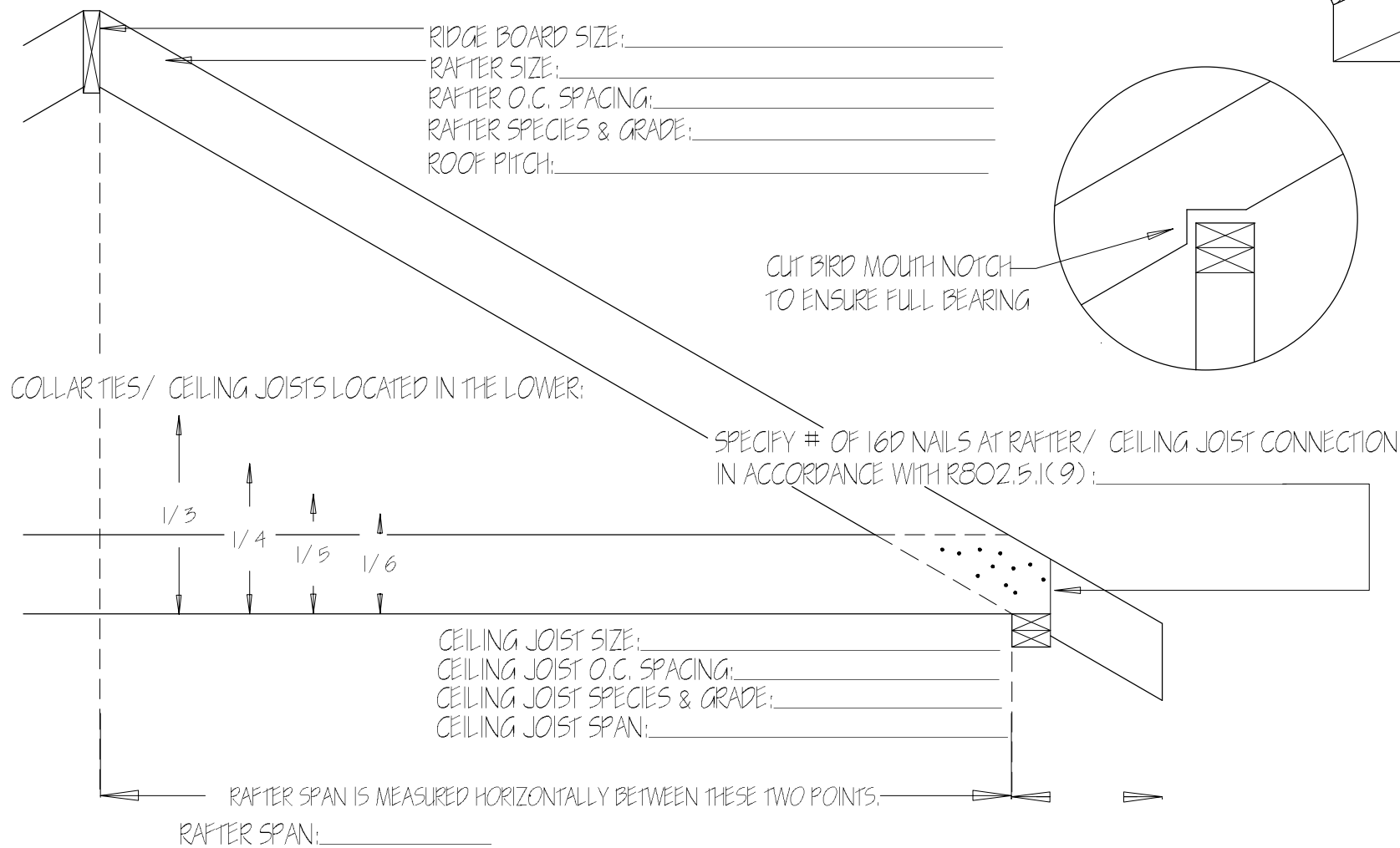
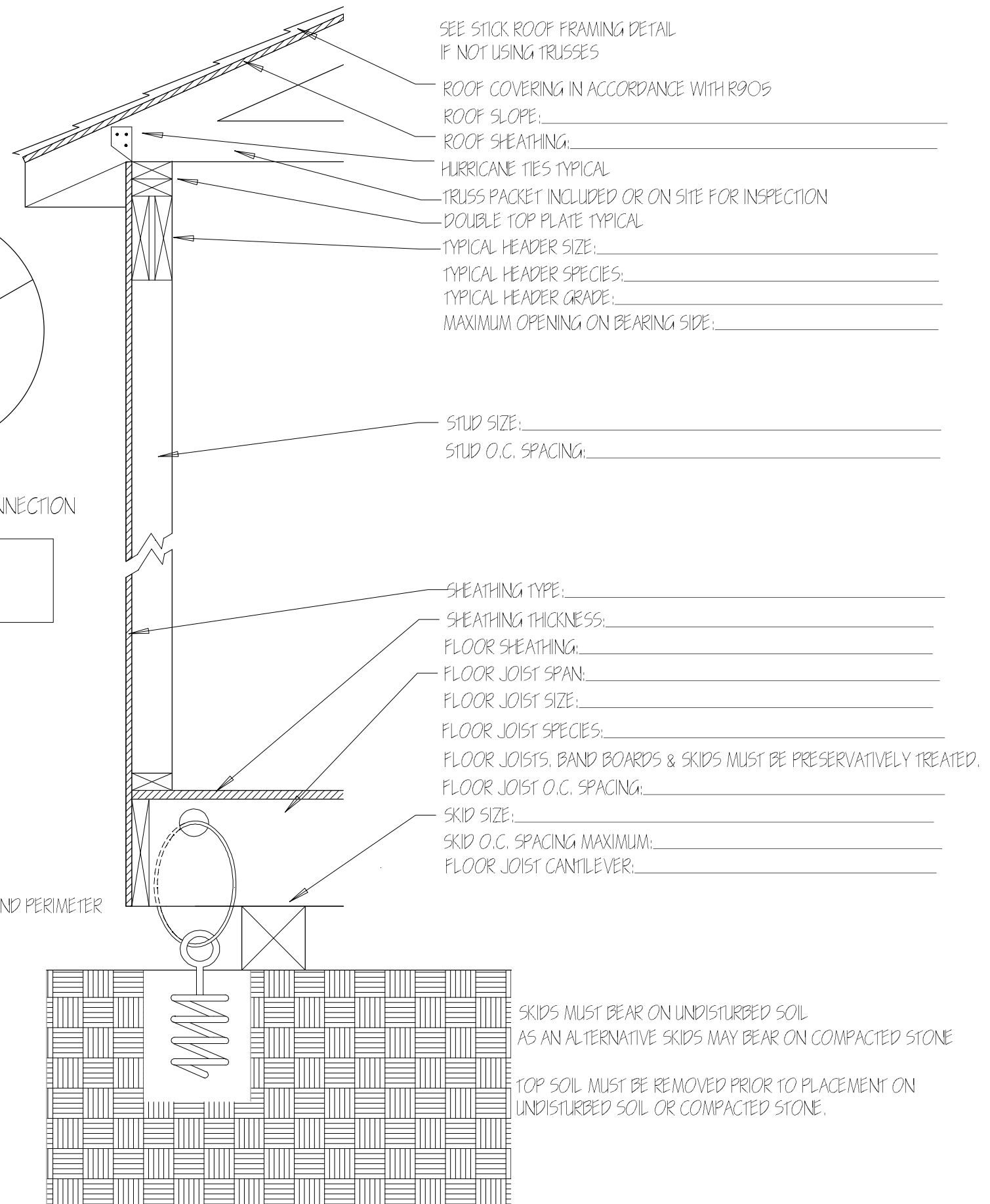
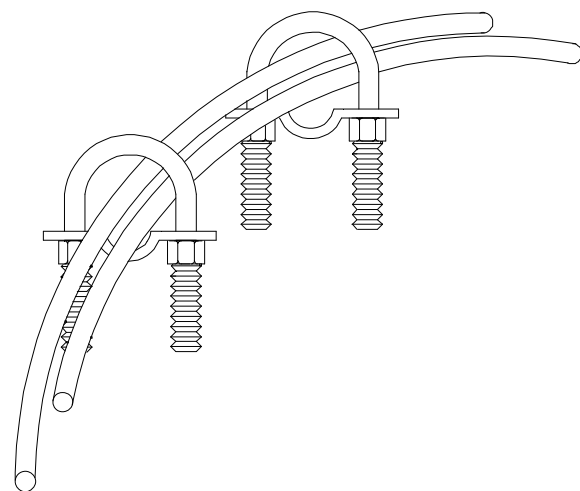


A SCALED PLAN VIEW OF THE PROPOSED STRUCTURE MUST BE INCLUDED WITH THIS PROPOSAL. THE SKETCH MUST INCLUDE PLACEMENT AND SIZES OF ALL OPENINGS. A SKETCH ON GRAPH PAPER WILL SATISFY THIS REQUIREMENT.

### STICK FRAMED ROOF DETAIL



LOOP STEEL CABLE AS ILLUSTRATED BELOW USING CABLE TIES  
 BORE HOLE IN UPPER 1/3 OF JOIST MEMBER AND 2" FROM END OF JOIST  
 ADD HELICAL ANCHOR ON EACH CORNER OF STRUCTURE OR EVERY 12' AROUND PERIMETER



**Stafford County**  
 Department of Public Works  
 Building Permits and Inspections

THIS TYPICAL DETAIL MAY NOT BE USED FOR STRUCTURES EXCEEDING 400 SQUARE FEET.